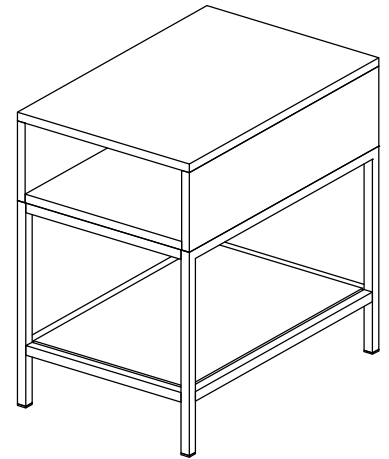


Warning :

- Be sure to check all packing material carefully for small parts, which may have come loose inside the carton during shipment.
- To prevent possible scratches and damage, this furniture **MUST BE ASSEMBLED BY TWO PEOPLE** on a soft surface such as a blanket or carpet.

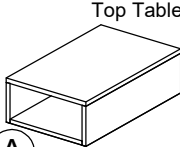
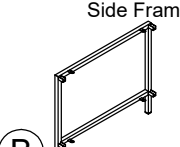
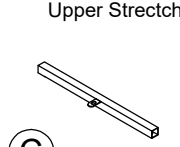
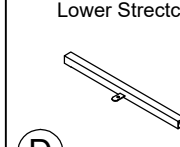
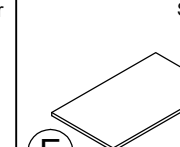
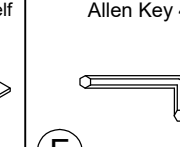
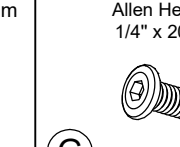
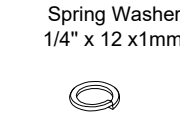
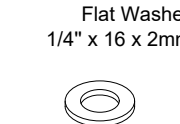
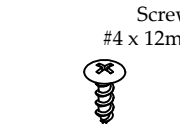
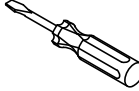
Important Use Information: We recommend using coasters, placemats and trivets when placing hot or cold containers on this item. It is also recommended to quickly cleanup any spills to minimize exposure to moisture. Doing so will prolong the life and look of the item for many years.



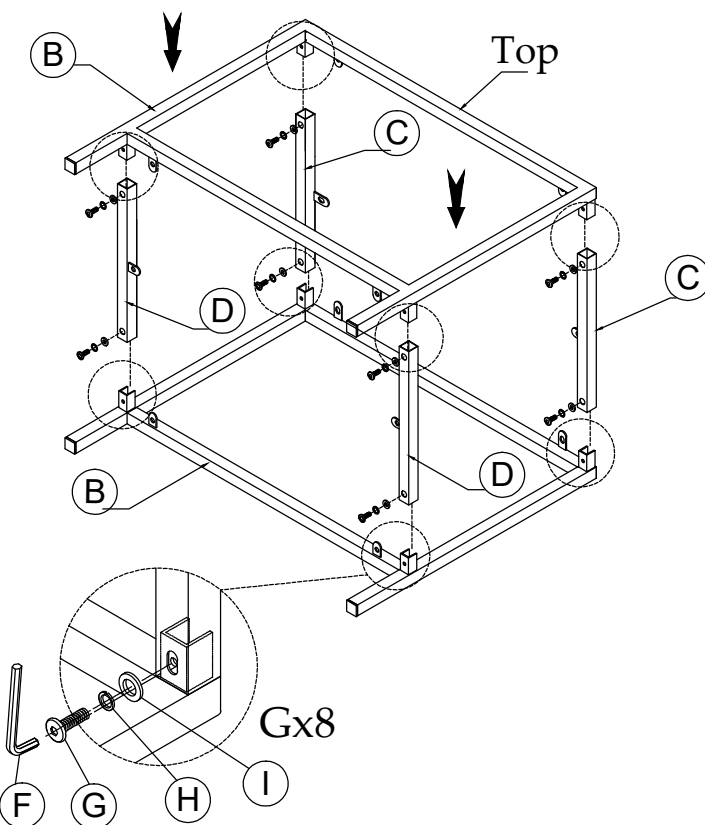
#92812

Rectangle Chairside Table

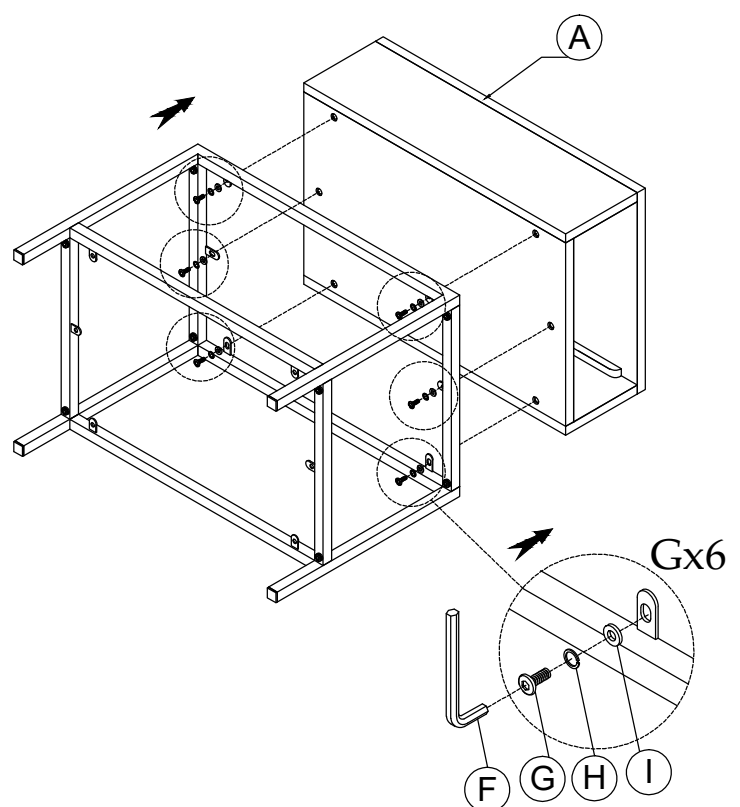
Components and Hardware List

 <p>A Top Table 1 pc.</p>	 <p>B Side Frame 1 pc.</p>	 <p>C Upper Stretcher 2 pcs.</p>	 <p>D Lower Stretcher 2 pcs.</p>	 <p>E Shelf 1 pc.</p>	 <p>F Allen Key 4mm 1pc.</p>	 <p>G Allen Head Bolt 1/4" x 20 x 5/8" 14 pcs.</p>
 <p>H Spring Washer 1/4" x 12 x 1mm 14 pcs.</p>	 <p>I Flat Washer 1/4" x 16 x 2mm 14 pcs.</p>	 <p>J Screws #4 x 12mm 6 pcs.</p>	<p>Tool required (Not provided) Phillips Screwdriver</p> 			

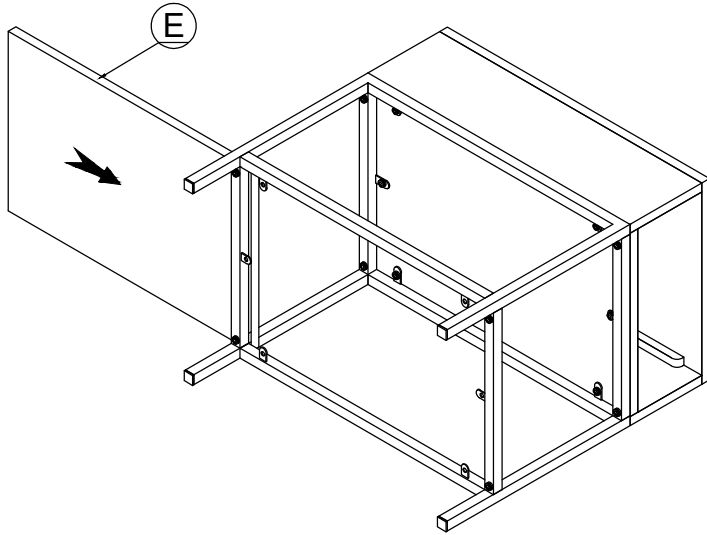
Step 1: Do not fully tighten the bolts until all parts have been assembled.



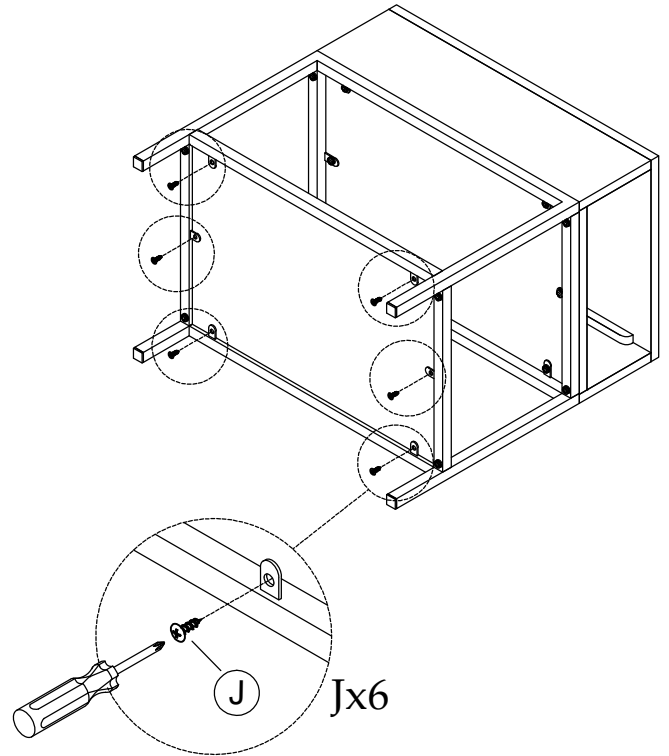
Step 2: Do not fully tighten the bolts until all parts have been assembled.



Step 3: Attach Shelf



Step 4:



Step 5: Complete

